



JUKI
Union Special

STYLES

ILLUSTRATED PARTS LIST

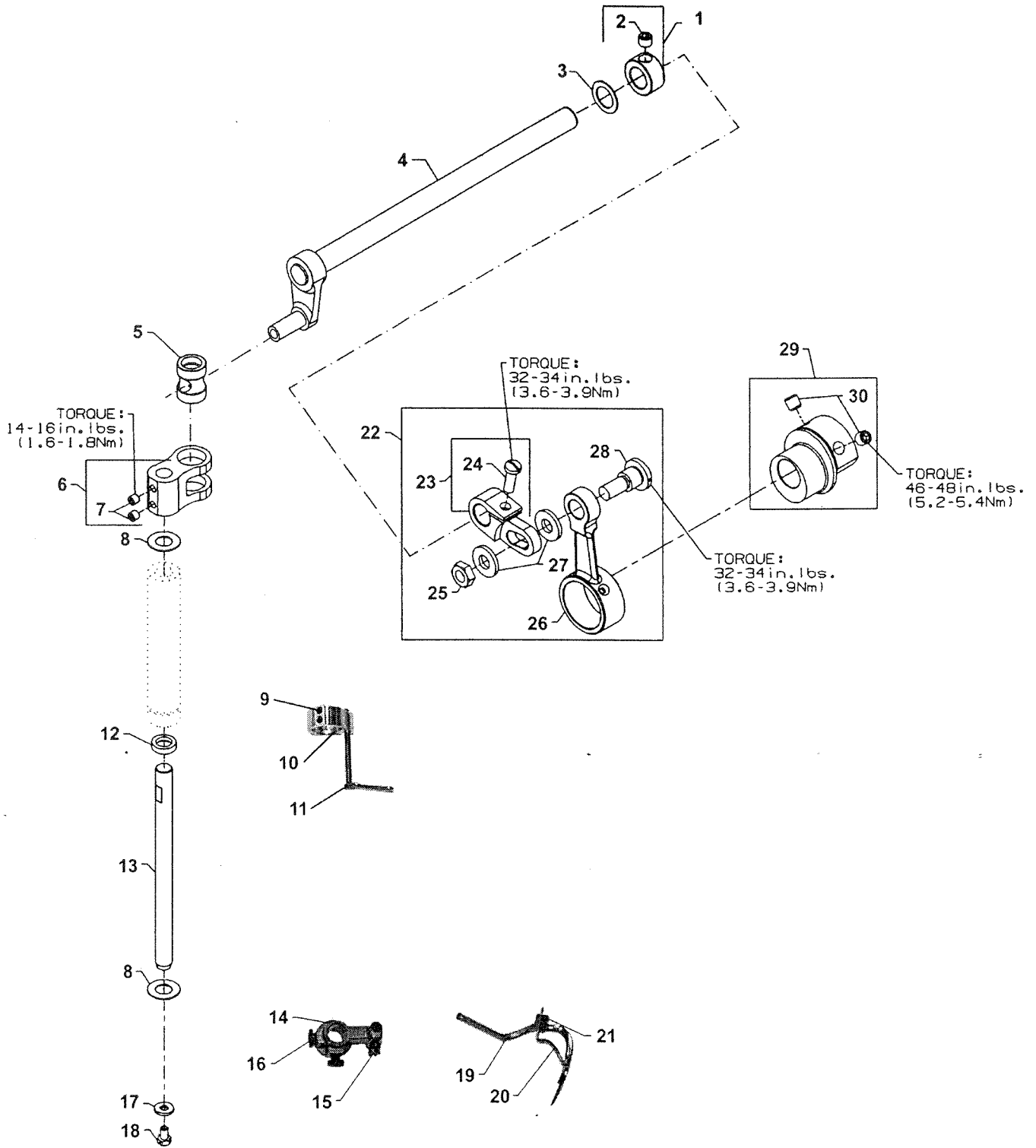
FS311L41

FS300 SERIES, DIFFERENTIAL FEED,
HIGH SPEED FLAT BED MACHINES

CATALOG NO.
PT0105

FIRST EDITION
SUPPLEMENT TO
PT9800

05/14/01

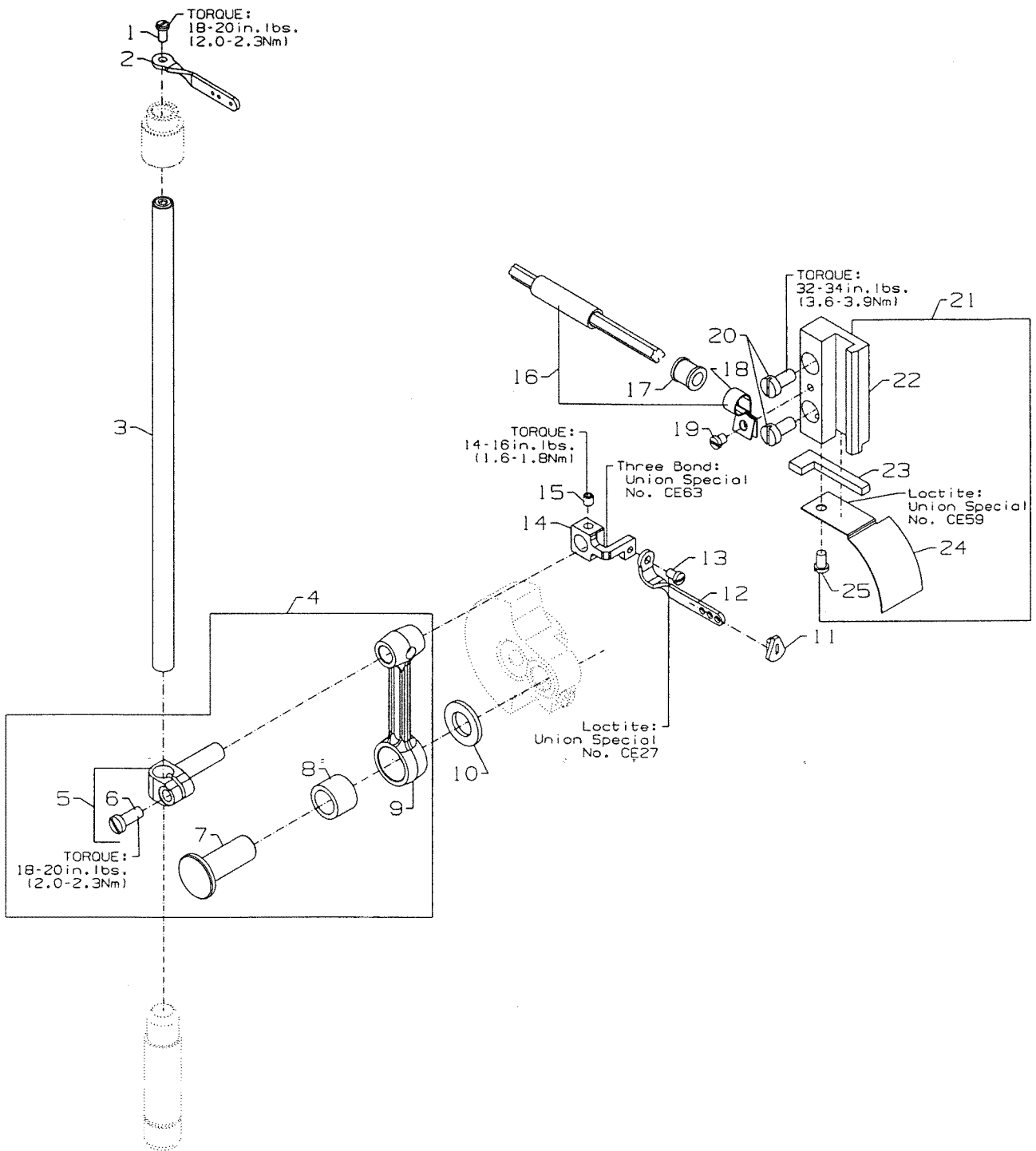


SPREADER

Ref. No.	Part No.	Description	Amt. Req.
1.	50335AW	Collar, for spreader shaft	1
2.	SS8660512TP	Set Screw	1
3.	96162B	Washer	1
4.	50360B	Crankshaft, for spreader assembly	1
5.	50347J	Pin, for spreader rocker	1
6.	50347C	Lever, for spreader holder shaft	1
7.	SS8110422TP	Screw	2
8.	61351C	Washer	2
9.	SS8080310TP	Screw	2
10.	K74382	Collar	1
11.	57845E	Spreader Thread Guide	1
12.	660-739	Oil Seal	1
13.	50347G	Shaft, for spreader, vertical	1
14.	57845G	Spreader Holder	1
15.	77	Screw	2
16.	94	Screw	2
17.	53678N	Washer	1
18.	SS9090640SP	Hex Screw, for vertical shaft	1
19.	K74383	Spreader	1
20.	57845F	Auxiliary Spreader	1
21.	22738B	Screw	2
22.	29126FW	Spreader Crank Rod Assembly	1
23.	50360G	Spreader Shaft Driving Arm	1
24.	SS7121410TP	Screw	1
25.	NS6680410SP	Hex Nut, for spreader drive	1
26.	50360F	Connecting Rod, for spreader drive	1
27.	WP0742016SP	Collar, for spreader driving arm	2
28.	SD1000801SH	Stud	1
29.	50360	Eccentric, for spreader drive	1
30.	SS8660612TP	Screw	2

***NOTE: SOME "K" PARTS SHOWN ARE NOT PICTORIALY CORRECT**



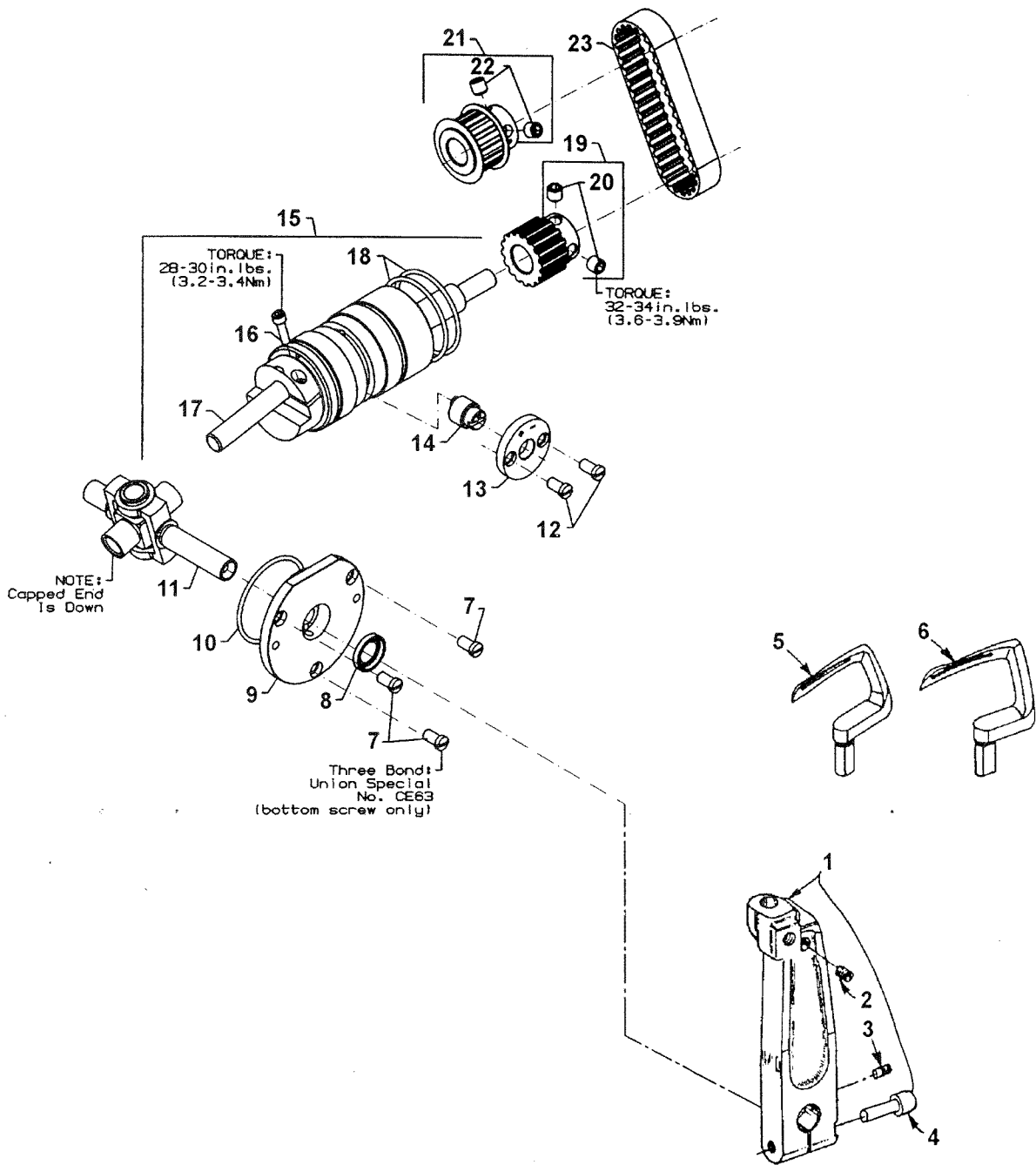


NEEDLE BAR

Ref. No.	Part No.	Description	Amt. Req.
1.	SS4080620TP	Screw	1
2.	50323P	Needle Bar Eyelet	1
3.	K74313	Needle Bar	1
4.	50345W	Connecting Rod Assembly	1
5.	50355AM	Needle Bar Clamp	1
6.	SS7111120TP	Screw	1
7.	50352	Pivot Pin	1
8.	661-259B	Needle Bearing Cage	1
9.	50355AN	Connecting Rod	1
10.	50351A	Washer	1
11.	50393JP	Eyelet Seal	1
12.	50358X	Needle Thread Eyelet	1
13.	SS7080520SP	Screw	1
-	CE27	Loctite Adhesive, (not shown), for screw	-
14.	50354F	Slide Block	1
-	CE63	Three Bond Adhesive, (not shown), for slide block	-
15.	SS8110422TP	Screw	1
16.	29476TC	Oil Tube Assembly	1
17.	50393JZ	Oil Tube	1
18.	50393JW	Hose Clamp	1
19.	SS6090440SP	Screw, for oil tube assembly	1
20.	SS6121010SP	Screw	2
21.	29476VN	Slide Block Guide and Cover Assembly	1
22.	50338	Guide, for slide block	1
23.	666-328	Felt, for slide block	1
-	CE59	Loctite Adhesive, (not shown), for felt	-
24.	50338A	Cover, for guide	1
25.	SS6090620SP	Screw	1

***NOTE: SOME "K" PARTS SHOWN ARE NOT PICTORIALY CORRECT**



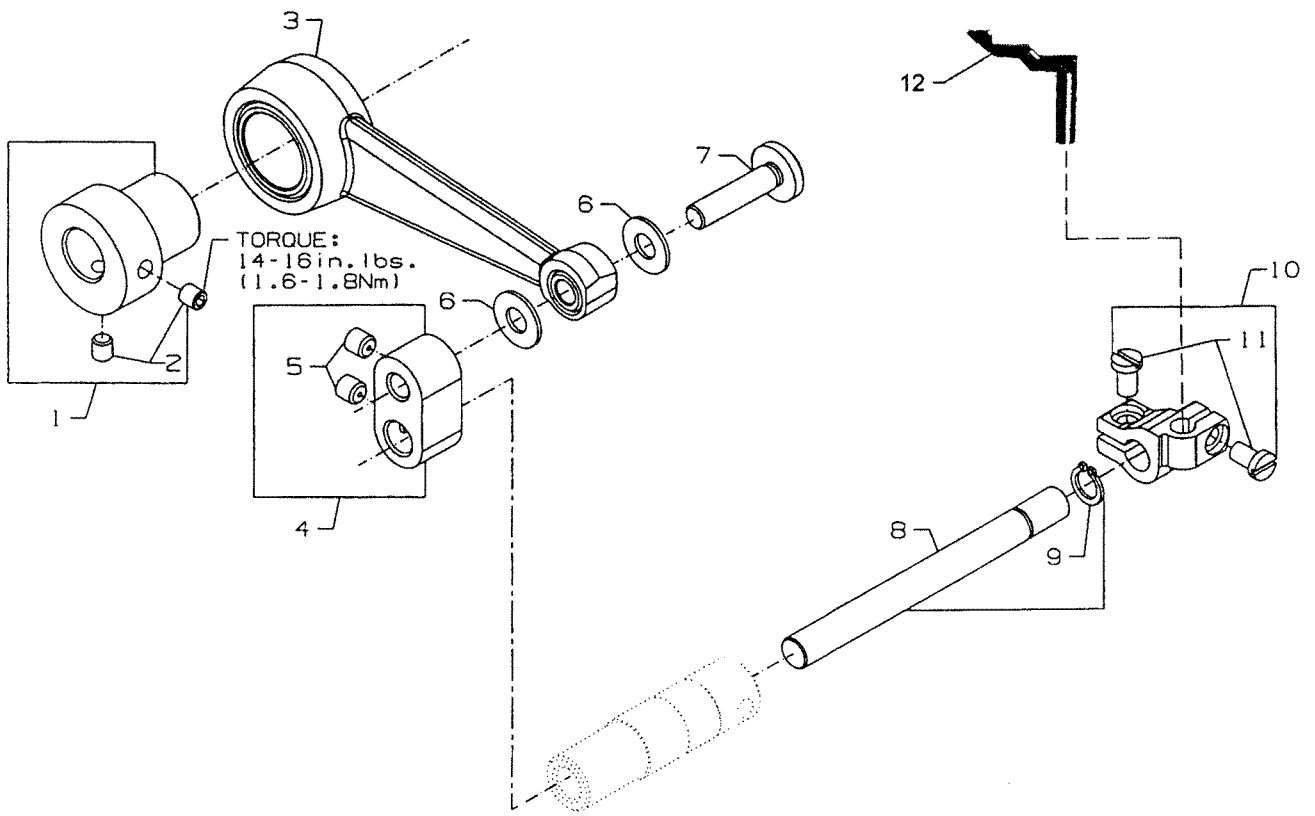


LOOPER DRIVE

Ref. No.	Part No.	Description	Amt. Req.
1.	50313F	Looper Holder	1
2.	22652B10	Screw, for looper holder	1
3.	22565	Screw, for looper holder	2
4.	22575B	Screw, for looper holder	1
5.	50309H	Looper, Rear	1
6.	51508BV16	Looper, Front	1
7.	SS7120910SP	Screw, for bearing housing	3
-	CE63	Three Bond Adhesive, (not shown), for screw	-
8.	660-893	Oil Seal, looper	1
9.	50344AM	Bearing Housing Assembly, for looper drive	1
10.	660-455	"O" Ring, for bearing housing assembly	1
11.	50313J	Looper Rocker Assembly	1
12.	SS7120910SP	Screw, for retaining plate	2
13.	50314F	Eccentric Retaining Plate	1
14.	50314E	Looper Avoid Adjusting Eccentric	1
15.	50642	Looper Drive Assembly	1
16.	22653J8	Screw	1
17.	667J33	Crank Pin	1
18.	660-979	"O" Ring	2
19.	50342BJ	Sprocket, for looper driven	1
20.	SS8660612TP	Screw	2
21.	50342BK	Sprocket, for looper drive	1
22.	SS8660612TP	Screw	2
23.	50342BP	Looper Drive Belt	1

***NOTE: SOME "K" PARTS SHOWN ARE NOT PICTORIALLY CORRECT**



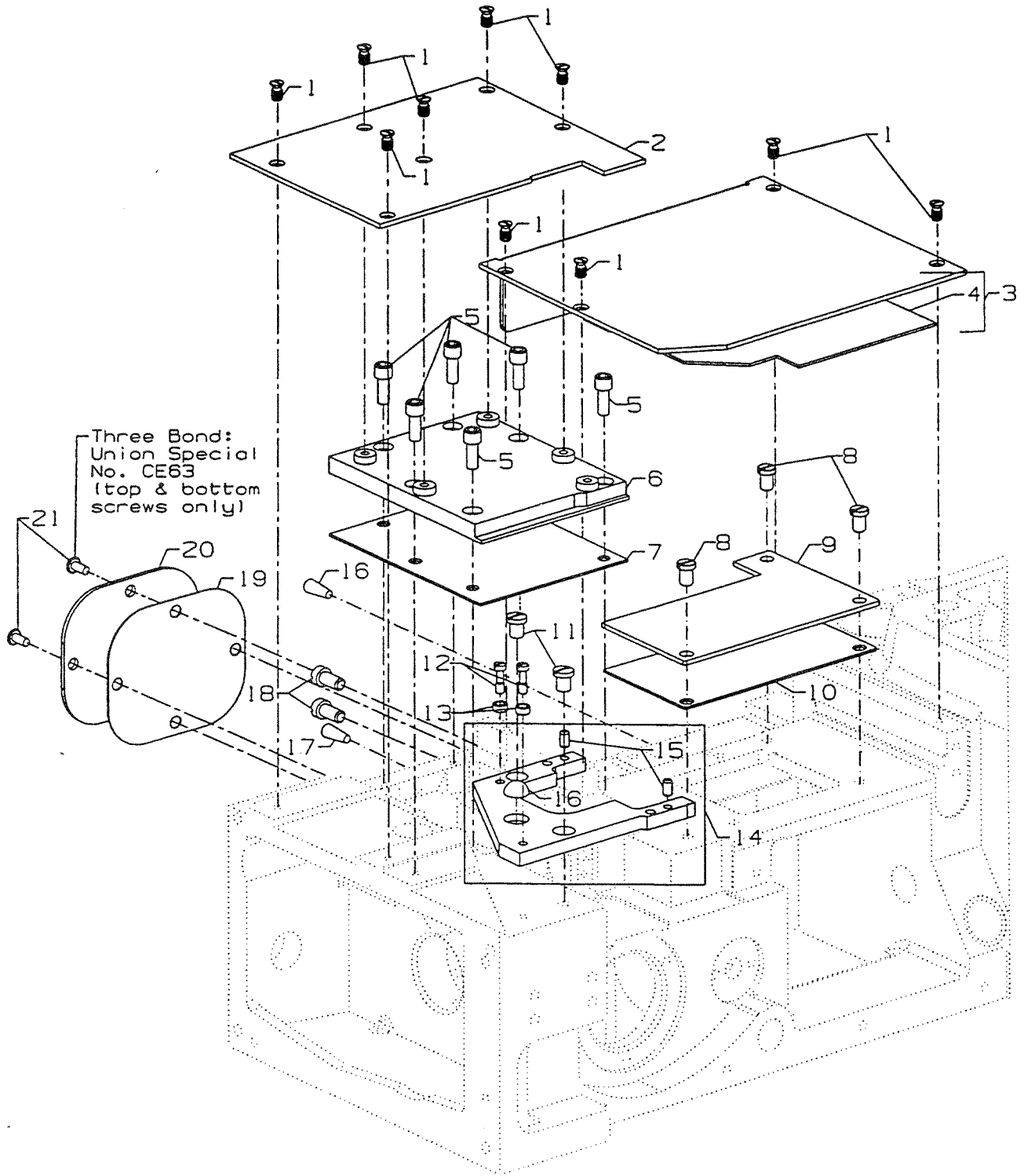


NEEDLE GUARD

Ref. No.	Part No.	Description	Amt. Req.
1.	50373DA	Needle Guard Eccentric	1
2.	SS8110422TP	Screw, for needle guard eccentric	1
3.	50368W	Connecting Rod Assembly, for needle guard	2
4.	50668	Pivot Link	1
5.	SS8110422TP	Screw	1
6.	50368E	Washer	2
7.	50368A	Pivot Pin	2
8.	50622C	Shaft, for needle guard	1
9.	RC0560711KP	Retaining Ring	1
10.	50625	Holder, for needle guard	1
11.	SS6090620SP	Screw	2
12.	50325L	Needle Guard, Rear	1

***NOTE: SOME "K" PARTS SHOWN ARE NOT PICTORIALY CORRECT**



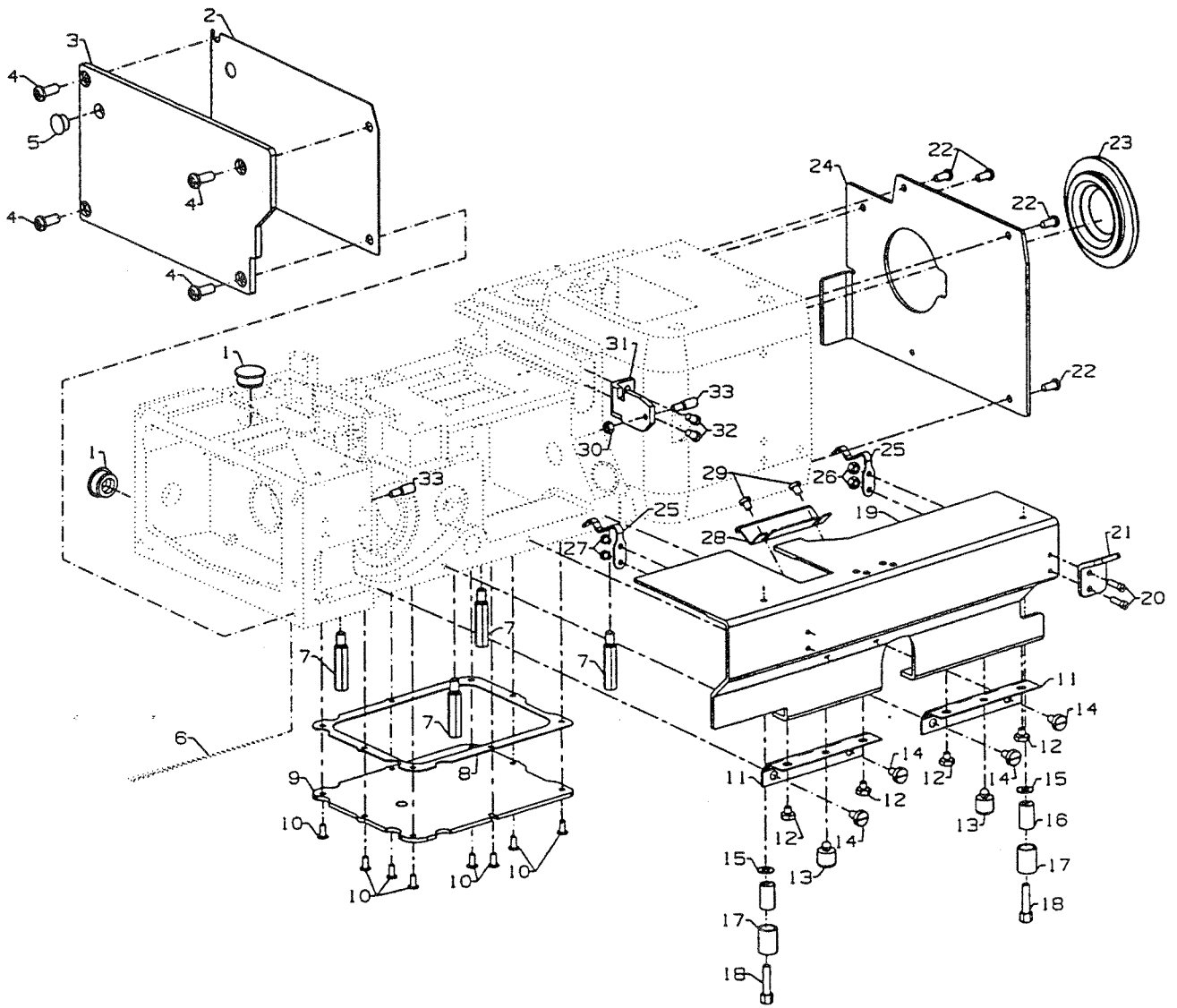


COVERS, LOWER BED

Ref. No.	Part No.	Description	Amt. Req.
1.	18-1448	Screw	11
2.	K74380	Cloth Plate, left	1
3.	50601E	Cloth Plate, right	1
4.	50303B	Acoustic Pad	1
5.	SS6121212TP	Screw, for cover	6
6.	50382CP	Cover, for feed chamber	1
7.	50382CS	Gasket	1
8.	22839C	Screw, for cover	3
9.	50382JR	Cover, for dry chamber	1
10.	50384K	Gasket, for dry chamber cover	1
11.	SS7150740SP	Screw	2
12.	22587N	Screw	2
13.	35036AE	Ferrule, Locating	2
14.	K74391	Throat Plate Support, complete	1
15.	51280K	Pin	1
16.	660-939	Rubber Bumper, for Throat Plate Support	1
17.	C067D	Cork	2
18.	22517	Screw, for bed	2
19.	50382CR	Gasket	1
20.	50382CL	Cover, rear, for feed chamber,	1
21.	SS4120615SP	Screw, for cover	2
-	CE63	Three Bond Adhesive, (not shown), for screw	-

***NOTE: SOME "K" PARTS SHOWN ARE NOT PICTORIALY CORRECT**



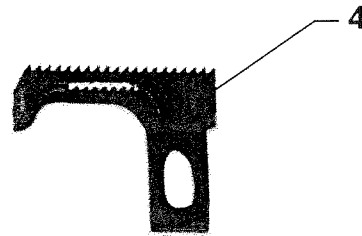
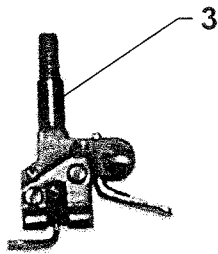
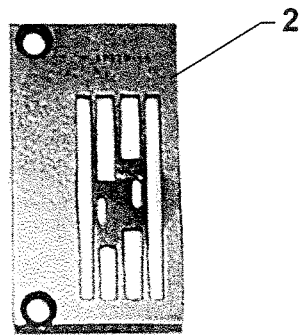
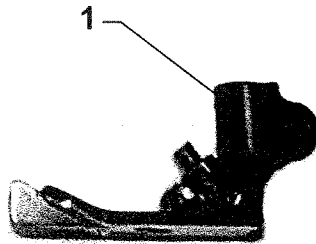


COVERS, LOWER BED

Ref. No.	Part No.	Description	Amt. Req.
1.	50393HB	Plug, for bed	2
2.	50684A	Quad Ring, for left end cover	1
3.	50682B	Left End Cover	1
4.	SS4151415SP	Screw	4
5.	50393HA	Plug	1
6.	WO3	Oil Wick, for needle guard	1
7.	22841U	Machine Support Stud	4
8.	50383G	Gasket, for chamber cover	1
9.	50382CG	Dry Chamber Cover	1
10.	SS7090850SP	Screw	8
11.	50378S	Hinge	2
12.	SS9110543CP	Screw	4
13.	660-1020	Rubber Bumper	2
14.	SS6120930TP	Screw	4
15.	20	Washer	2
16.	50382T	Stop, for front cover	2
17.	50393W	Rubber Bumper	2
18.	22519J	Screw	2
19.	K74379	Swing Down Cover	1
20.	22729D	Screw	2
21.	50667	Lever	1
22.	SS4121015SP	Screw	4
23.	50393HU	Plug, right end, non-synchronizer	1
24.	50382CJ	Cover, for drive belt	1
25.	50332A	Latch Spring	2
26.	39250J	Nut	2
27.	22513D	Screw	2
28.	50382FP	Latch, looper throw-out safety	1
29.	25CC	Screw	2
30.	35569J	Nut	1
31.	50332B	Support Block	1
32.	SS7120710SP	Screw	2
33.	22799AH	Spring Latch Stud	2

***NOTE: SOME "K" PARTS SHOWN ARE NOT PICTORIALLY CORRECT**





MODEL	NEEDLE HEAD	PRESSER FOOT ASSEMBLY	THROAT PLATE	FEED DOG
FS311L41-2H64Z4	K74395	A9770R16	A9820-16	51405AD12
FS311L41-2H64CC1Z3				



SEWING PARTS

Ref. No.	Part No.	Description	Amt. Req.
1.	A9770R16	Presser Foot	1
-	22840A	Screw	1
-	31230A	Presser Foot Shank	1
-	91	Screw	1
-	51430F	Nut	1
-	96651	Roll Pin	1
-	61330B44	Presser Foot Hinge Pin	1
2.	A9820-16	Throat Plate	1
3.	K74314	Needle Head	1
-	22KH	Screw	1
-	K74314	Thread Eyelet	1
-	28C	Set Screw	2
-	1096	Set Screw	1
-	50342Z	Needle Thread Guide	1
-	660-219AH	Roll Pin	2
4.	51405AD12	Feed Dog	1

***NOTE: SOME "K" PARTS SHOWN ARE NOT PICTORIALY CORRECT**



Union Special Corporation
Corporate Office
One Union Special Plaza
Huntley, IL 60142
Phone: 847•669•5101
Fax: 847•669•4454

Union Special GmbH
European Distribution Center
Raiffeisenstrasse 3
D-71696 Möglingen, Germany
Tel: 49•07141•247•0
Fax: 49•07141•247•100

JUKI CORPORATION
INTERNATIONAL SALES DIVISION
8-2-1, KOKURYO - CHO,
CHOFU-SHI, TOKYO 182, JAPAN
PHONE: 03(3430)4001~5
FAX: 03(3430)4909 . 4914 . 4984



JUKI
Union Special