

**Bag Closing
Machines
Suspended
on
Top Lock
Balancer**

**with V-Belt
Power Trans-
mission**

**for Easy and
Effortless
Sewing**



- STURDY
- EFFICIENT
- RELIABLE
- FAST

80800LG: Self contained bag closing unit suspended from the ceiling for closing filled bags of all kinds made from jute, cotton, paper, plastic or woven polypropylene materials.

With – sewing head 80800 C, two thread double locked stitch machine with mechanically operated chain cutter (sewing head 80800 D, single thread chain stitch machine available on request).

With – top lock balancer 90191 FB for weightless suspension.

With – filler cord thread stand for sealing needle punctures (on request).

With – V-belt power transmission between motor and sewing head, completely protected.

With – constant speed, therefore suitable in connection with conveyors.

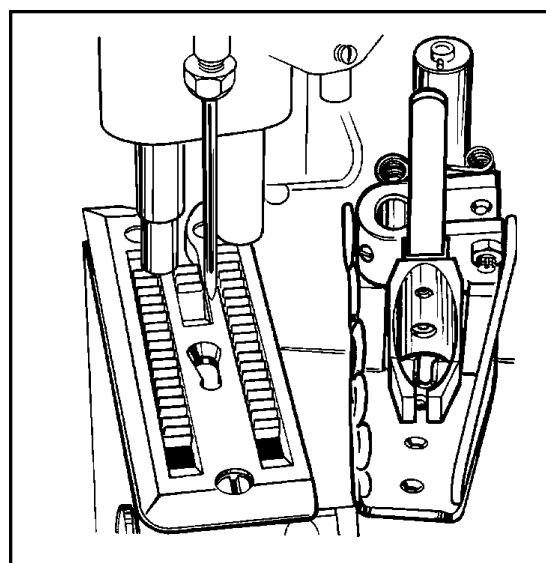
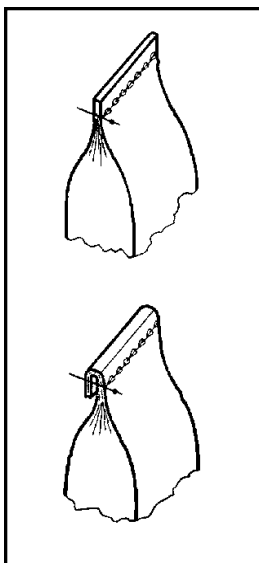
With – handwheel for easy threading.

With – push button switch for easy and effortless sewing.

Technical Specifications

- Stitch range: 6.5 – 11 mm
- Standard setting: 8 mm
- Speed: 1250 stitches per minute at 50 Hz
- Sewing capacity: 5/8 inch (16 mm)
- Sewing capacity on paper bags: up to 32 plies of paper, depending on weight of paper
- Electric motor: 220-240 / 380-420V, 50 Hz, three phase, 0.37 kW, 1350 RPM
255-275 / 440-480V, 60 Hz, three phase, 0.44 kW, 1660 RPM

80800LA: Same as 80800LG, but with electric motor 230V, 50 Hz, single phase, 0.37 kW



Subject to change without notice

© Union Special GmbH